

# CONTENTS

Mtr Mini Universal Turning Boring Tool/01



Mpr Mini Copy Turning Boring Tool/02



Mxr Micro Reverse Turning Boring Tool/03



Mur Mini Flat Bottom Copying Turning Boring Tool/04



Mqr Mini Copy Turning Boring Tool/05



Mgr Micro Internal Aperture Slotting Knife/06



Mkr Micro Inner Hole Round Head Radial Slot Cutter/07



Mfr Micro Internal Hole Axial Slot Knife/08



Mfl Micro Inner Hole Axial Slotting Tool/09



Mzr Micro Inner Hole Axial Round Head Slotting Tool/10



Mzl Micro Inner Hole Axial Round Head Slotting Tool/11



Mir Micro Internal Hole Universal Thread Boring Tool/12



Mir Thread Boring Tool For Miniature Internal Hole Navigational Mark/13



Kec Micro High Precision Universal Turning Boring Tool/14



Ked Micro High Precision Copy Turning Boring Tool/15



Kef Micro High Precision Internal Aperture Slotting Tool/16



Ker Miniature High Precision Internal Bore Slotted Cutter Towards Round Head/17



Kefg Micro High Precision Internal Hole Axial Slotting Tool/18



Kerg Micro High Precision Inner Hole Axial Round Head Slotting Tool/19



Ket Miniature High Precision Thread Boring Tool/20



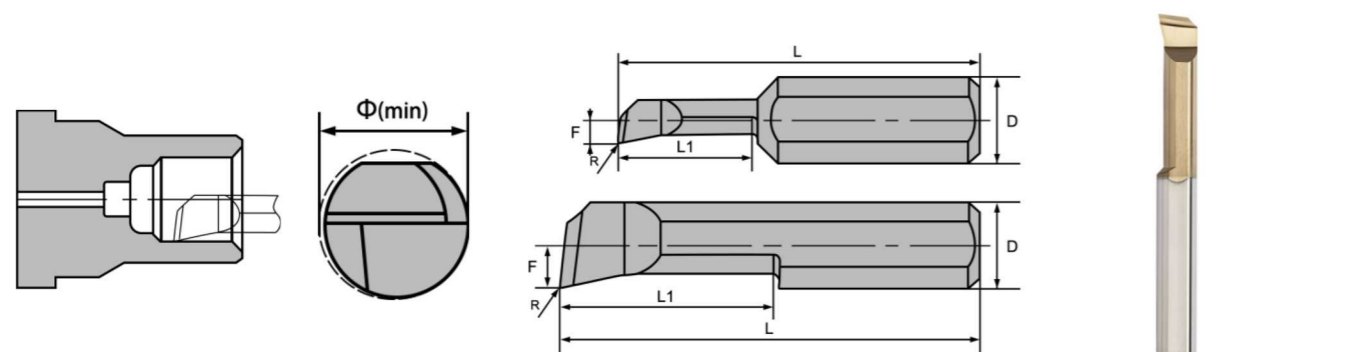
Ket Miniature High Precision Thread Boring Tool For Navigation Mark/21



Shb Reducer Sleeve/22

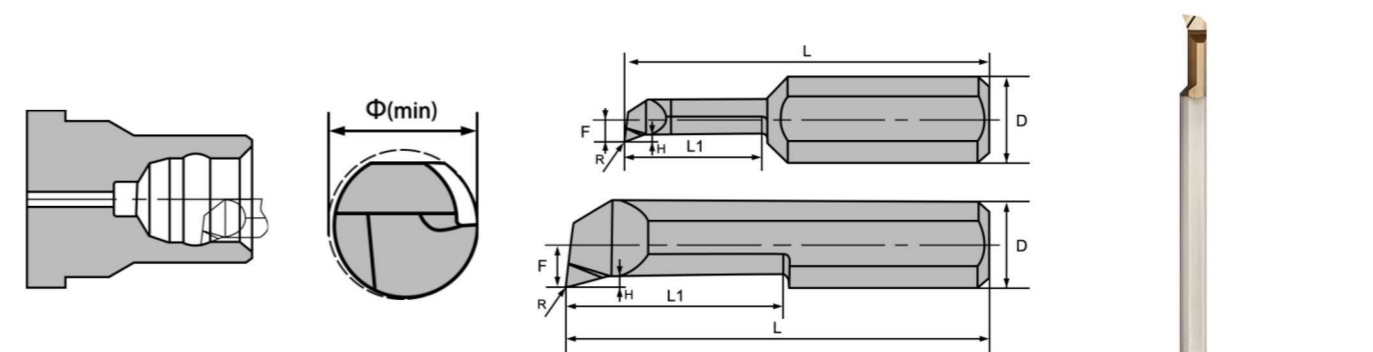


MTR Mini Universal turning boring tool



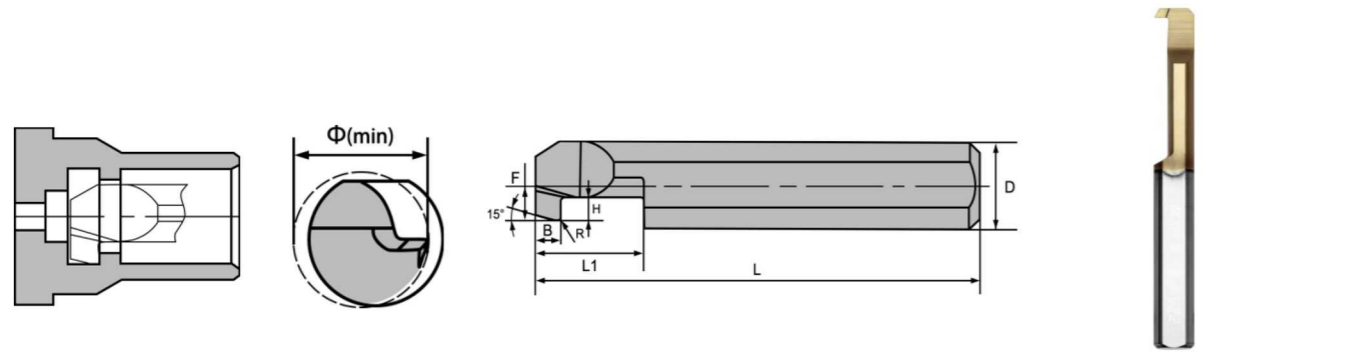
Product No	D	Size				Φ (min)
		L	L1	R	F	
MTR 0.7 R0.05 L3	3	40	3	0.05	0.30	0.70
MTR 0.7 R0.05 L5		40	5	0.05	0.30	0.70
MTR 1 R0.05 L4		40	4	0.05	0.40	1.00
MTR 1 R0.05 L6		40	6	0.05	0.40	1.00
MTR 1.5 R0.1 L6		40	6	0.10	0.70	1.50
MTR 2 R0.05 L5	4	50	5	0.05	0.90	2.10
MTR 2 R0.05 L10		50	10	0.05	0.90	2.10
MTR 2 R0.1 L5		50	5	0.10	0.90	2.10
MTR 2 R0.1 L10		50	10	0.10	0.90	2.10
MTR 3 R0.05 L10	4	50	10	0.05	1.40	3.10
MTR 3 R0.05 L15		50	15	0.05	1.40	3.10
MTR 3 R0.1 L10		50.0	10	0.10	1.40	3.10
MTR 3 R0.1 L15		50.0	15	0.10	1.40	3.10
MTR 3 R0.2 L10		50.0	10	0.20	1.40	3.10
MTR 3 R0.2 L15		50.0	15	0.20	1.40	3.10
MTR 4 R0.05 L10	4	50.0	10	0.05	1.90	4.10
MTR 4 R0.05 L15		50.0	15	0.05	1.90	4.10
MTR 4 R0.1 L10		50.0	10	0.10	1.90	4.10
MTR 4 R0.1 L15		50.0	15	0.10	1.90	4.10

MPR mini copy turning boring tool



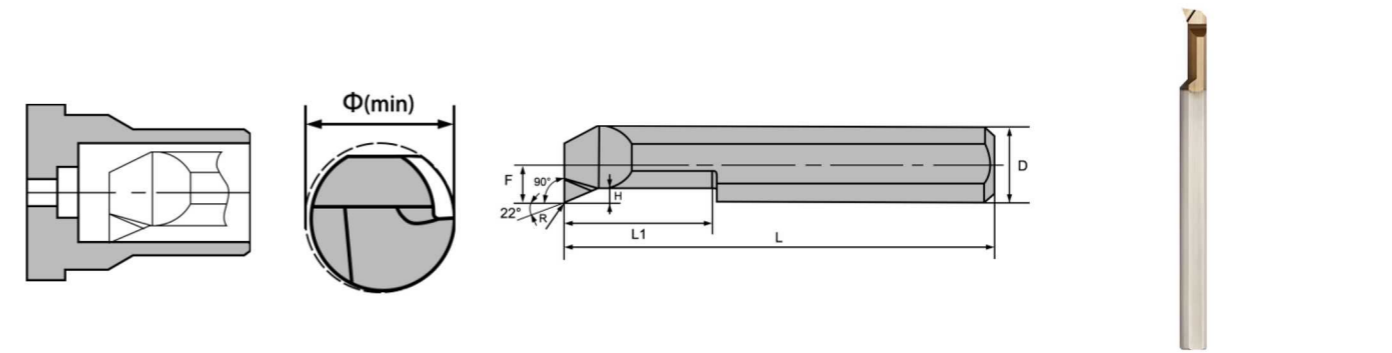
Product No	D	Size					Φ (min)
		L	L1	R	H	F	
MPR 1 R0.05 L4	3	40	4	0.05	0.20	0.40	1.00
MPR 1 R0.05 L8		40	8	0.05	0.20	0.40	1.00
MPR 1.5 R0.05 L10		40	10	0.05	0.30	0.70	1.50
MPR 1.5 R0.05 L6		40	6	0.05	0.30	0.70	1.50
MPR 1.5 R0.1 L10		40	10	0.10	0.30	0.70	1.50
MPR 2 R0.05 L5		4	50	5	0.05	0.50	0.90
MPR 2 R0.05 L10	50		10	0.05	0.50	0.90	2.10
MPR 2 R0.1 L5	50		5	0.10	0.50	0.90	2.10
MPR 2 R0.1 L10	50		10	0.10	0.50	0.90	2.10
MPR 3 R0.05 L10	4	50	10	0.05	0.70	1.40	3.10
MPR 3 R0.05 L15		50	15	0.05	0.70	1.40	3.10
MPR 3 R0.1 L10		50	10	0.10	0.70	1.40	3.10
MPR 3 R0.1 L15		50	15	0.10	0.70	1.40	3.10
MPR 3 R0.2 L10		50	10	0.20	0.70	1.40	3.10
MPR 3 R0.2 L15		50	15	0.20	0.70	1.40	3.10
MPR 4 R0.05 L10	4	50	10	0.05	0.80	1.90	4.10
MPR 4 R0.05 L15		50	15	0.05	0.80	1.90	4.10
MPR 4 R0.1 L10		50	10	0.10	0.80	1.90	4.10
MPR 4 R0.1 L15		50	15	0.10	0.80	1.90	4.10

MXR micro reverse turning boring tool



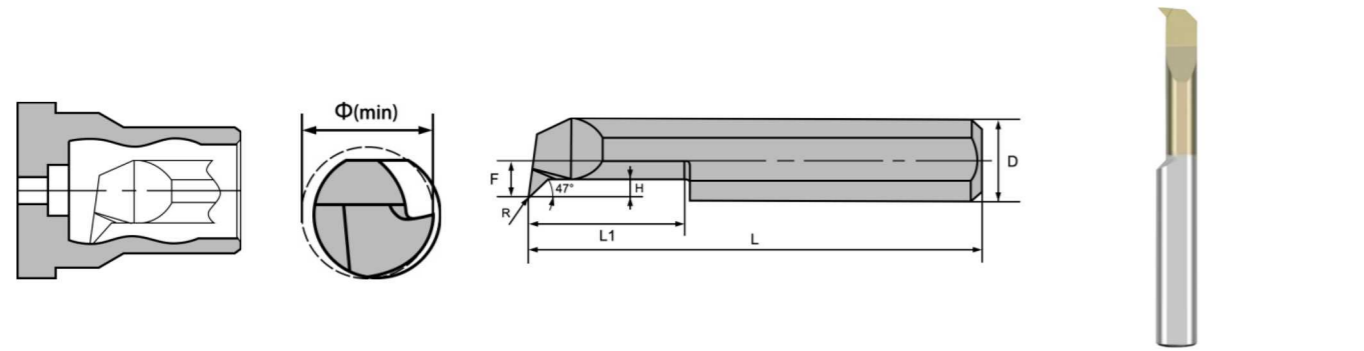
Product No	D	Size						Φ (min)
		L	L1	B	R	H	F	
MXR 4 R0.1 L10	4	50	10	1.30	0.10	0.50	1.30	3.10
MXR 4 R0.1 L15		50	15	1.30	0.10	0.50	1.30	3.10
MXR 4 R0.2 L10		50	10	1.30	0.20	0.80	1.70	4.10
MXR 4 R0.2 L15		50	15	1.30	0.20	0.80	1.70	4.10
MXR 5 R0.1 L1	5	50	10	1.50	0.10	1.00	2.30	5.10
MXR 5 R0.1 L22		50	15	1.50	0.10	1.00	2.30	5.10
MXR 5 R0.2 L15		50	10	1.50	0.20	1.00	2.30	5.10
MXR 5 R0.2 L22		50	15	1.50	0.20	1.00	2.30	5.10
MXR 6 R0.1 L15	6	50	10	1.50	0.10	1.80	2.80	6.10
MXR 6 R0.1 L22		50	15	1.50	0.10	1.80	2.80	6.10
MXR 6 R0.2 L15		50	10	1.50	0.20	1.80	2.80	6.10
MXR 6 R0.2 L22		50	15	1.50	0.20	1.80	2.80	6.10

MUR mini flat bottom copying turning boring tool



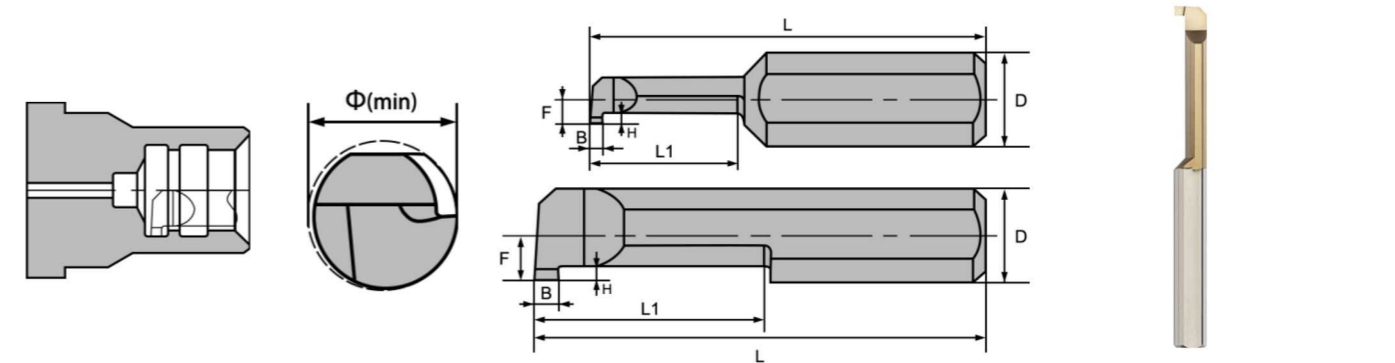
Product No	D	Size					Φ (min)
		L	L1	R	H	F	
MUR 3 R0.05 L10	3	40	10	0.05	0.40	1.40	3.10
MUR 3 R0.05 L15		40	15	0.05	0.40	1.40	3.10
MUR 3 R0.1 L10		40	10	0.10	0.40	1.40	3.10
MUR 3 R0.1 L15		40	15	0.10	0.40	1.40	3.10
MUR 4 R0.1 L10	4	50	10	0.10	0.50	1.90	4.10
MUR 4 R0.1 L15		50	15	0.10	0.50	1.90	4.10
MUR 4 R0.2 L10		50	10	0.20	0.50	1.90	4.10
MUR 4 R0.2 L15		50	15	0.20	0.50	1.90	4.10
MUR 5 R0.1 L15	5	50	10	0.10	0.70	2.40	5.10
MUR 5 R0.1 L22		50	15	0.10	0.70	2.40	5.10
MUR 5 R0.2 L15		50	10	0.20	0.70	2.40	5.10
MUR 5 R0.2 L22		50	15	0.20	0.70	2.40	5.10
MUR 6 R0.1 L15	6	50	10	0.10	0.90	2.90	6.10
MUR 6 R0.1 L22		50	15	0.10	0.90	2.90	6.10
MUR 6 R0.2 L15		50	10	0.20	0.90	2.90	6.10
MUR 6 R0.2 L22		50	15	0.20	0.90	2.90	6.10
MUR 8 R0.1 L22	8	60	22	0.10	1.10	3.90	8.10
MUR 8 R0.1 L30		60	30	0.10	1.10	3.90	8.10
MUR 8 R0.2 L22		60	22	0.20	1.10	3.90	8.10

MQR mini copy turning boring tool



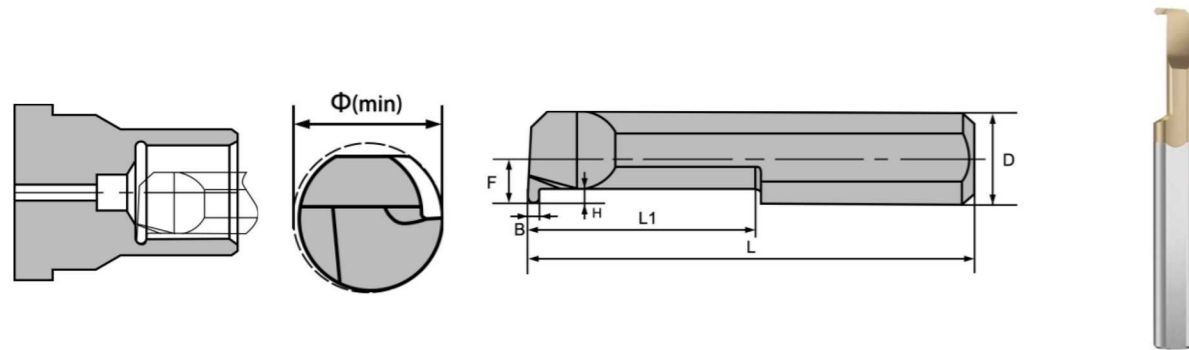
Product No	D	Size					$\Phi(\min)$
		L	L1	R	H	F	
MQR 3 R0.05 L10	3	40	10	0.05	0.50	1.40	3.10
MQR 3 R0.05 L15		40	15	0.05	0.50	1.40	3.10
MQR 3 R0.1 L10		40	10	0.10	0.50	1.40	3.10
MQR 3 R0.1 L15		40	15	0.10	0.50	1.40	3.10
MQR 4 R0.1 L10	4	50	10	0.10	0.80	1.90	4.10
MQR 4 R0.1 L15		50	15	0.10	0.80	1.90	4.10
MQR 4 R0.2 L10		50	10	0.20	0.80	1.90	4.10
MQR 4 R0.2 L15		50	15	0.20	0.80	1.90	4.10
MQR 5 R0.1 L15	5	50	15	0.10	1.00	2.40	5.10
MQR 5 R0.1 L22		50	22	0.10	1.00	2.40	5.10
MQR 5 R0.2 L15		50	15	0.20	1.00	2.40	5.10
MQR 5 R0.2 L22		50	22	0.20	1.00	2.40	5.10
MQR 6 R0.1 L15	6	50	15	0.10	1.40	2.90	6.10
MQR 6 R0.1 L22		50	22	0.10	1.40	2.90	6.10
MQR 6 R0.1 L30		60	30	0.10	1.40	2.90	6.10
MQR 6 R0.2 L15		50	15	0.20	1.40	2.90	6.10
MQR 6 R0.2 L22		50	22	0.20	1.40	2.90	6.10
MQR 6 R0.2 L30		60	30	0.20	1.40	2.90	6.10

MGR Micro internal aperture slotting knife



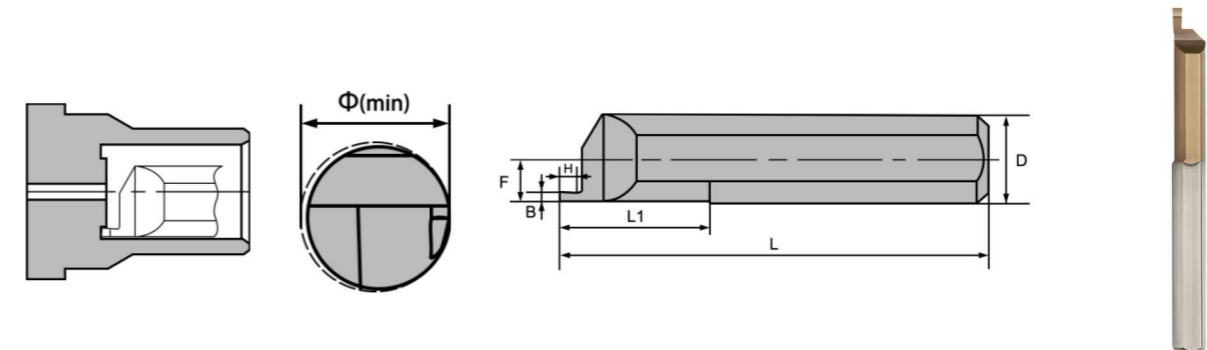
Product No	D	Size					$\Phi(\min)$
		L	L1	B	H	F	
MGR 3 B0.5 L10	4	40	10	0.50	0.50	1.30	3.10
MGR 3 B0.5 L15		40	15	0.50	0.50	1.30	3.10
MGR 3 B0.7 L10		40	10	0.70	0.60	1.30	3.10
MGR 3 B0.7 L15		40	15	0.70	0.60	1.30	3.10
MGR 4 B0.5 L10	4	50	10	0.50	0.50	1.80	4.10
MGR 4 B0.5 L15		50	15	0.50	0.50	1.80	4.10
MGR 4 B0.7 L10		50	10	0.70	0.60	1.80	4.10
MGR 4 B0.7 L15		50	15	0.70	0.60	1.80	4.10
MGR 4 B1.0 L10		50	10	1.00	1.00	1.80	4.10
MGR 4 B1.0 L15		50	15	1.00	1.00	1.80	4.10
MGR 4 B1.0 L22	5	50	22	1.00	1.00	1.80	4.10
MGR 4 B1.5 L10		50	10	1.50	1.50	1.80	4.10
MGR 4 B1.5 L15		50	15	1.50	1.50	1.80	4.10
MGR 4 B1.5 L22		50	22	1.50	1.50	1.80	4.10
MGR 5 B1.0 L15		50	15	1.00	1.00	2.30	5.10
MGR 5 B1.0 L22		50	22	1.00	1.50	2.30	5.10
MGR 5 B1.0 L30	5	60	30	1.00	1.50	2.30	5.10
MGR 5 B1.5 L15		50	15	1.50	1.50	2.30	5.10
MGR 5 B1.5 L22		50	22	1.50	1.50	2.30	5.10

MKR micro inner hole round head radial slot cutter



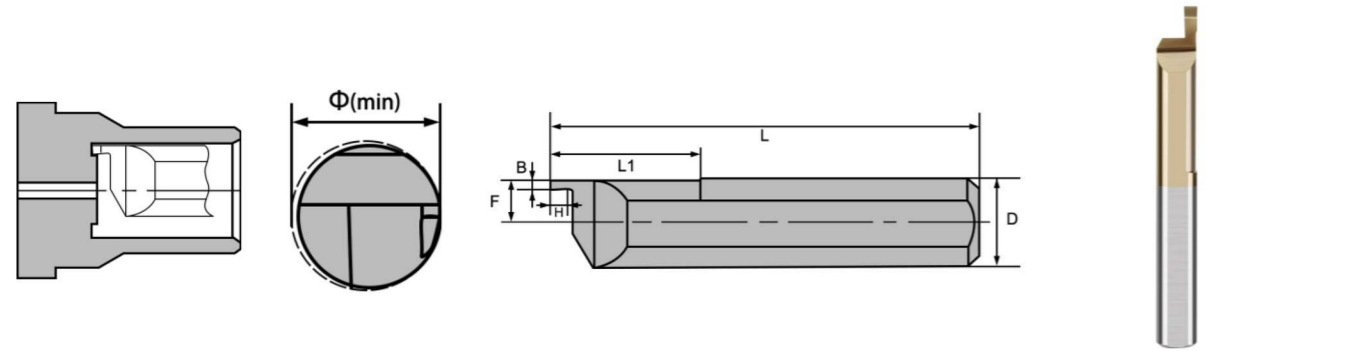
Product No	D	Size						Φ (min)
		L	L1	B	R	H	F	
MKR 4 R0.3 L10	4	50	10	0.60	0.30	0.50	1.80	4.10
MKR 4 R0.3 L15		50	15	0.60	0.30	0.50	1.80	4.10
MKR 4 R0.4 L10		50	10	0.80	0.40	0.70	1.80	4.10
MKR 4 R0.4 L15		50	15	0.80	0.40	0.70	1.80	4.10
MKR 4 R0.5 L10		50	10	1.00	0.50	1.00	1.80	4.10
MKR 4 R0.5 L15		50	15	1.00	0.50	1.00	1.80	4.10
MKR 4 R0.75 L10		50	10	1.50	0.75	1.00	1.80	4.10
MKR 4 R0.75 L15		50	15	1.50	0.75	1.00	1.80	4.10
MKR 5 R0.5 L10	5	50	10	1.00	0.50	1.20	2.30	5.10
MKR 5 R0.5 L15		50	15	1.00	0.50	1.20	2.30	5.10
MKR 5 R0.5 L22		50	22	1.00	0.50	1.20	2.30	5.10
MKR 5 R0.75 L10		50	10	1.50	0.75	1.20	2.30	5.10
MKR 5 R0.75 L15		50	15	1.50	0.75	1.20	2.30	5.10
MKR 5 R0.75 L22		50	22	1.50	0.75	1.20	2.30	5.10
MKR 5 R1.0 L10		50	10	2.00	1.00	1.20	2.30	5.10
MKR 5 R1.0 L15		50	15	2.00	1.00	1.20	2.30	5.10
MKR 5 R1.0 L22	50	22	2.00	1.00	1.20	2.30	5.10	
MKR 6 R0.5 L15	6	50	15	1.00	0.50	1.20	2.80	6.10
MKR 6 R0.5 L22		50	22	1.00	0.50	1.20	2.80	6.10

MFR micro internal hole axial slot knife



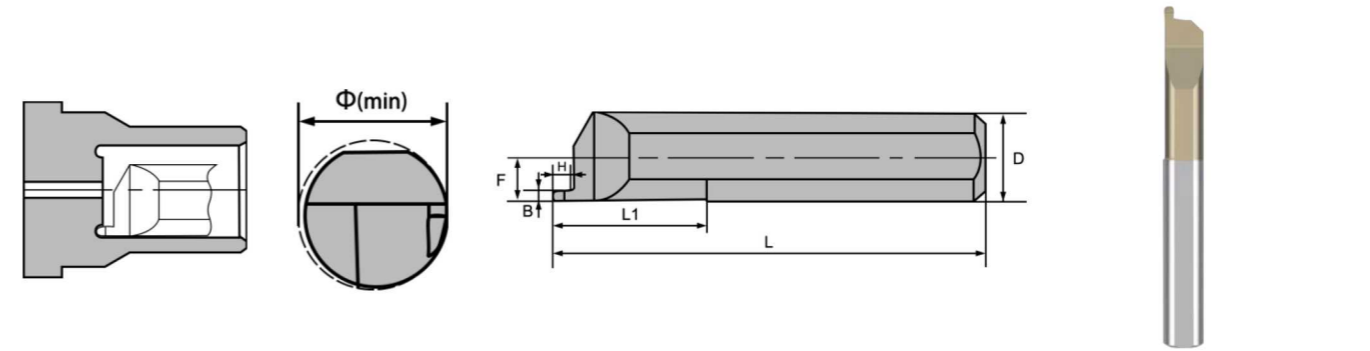
Product No	D	Size					Φ (min)
		L	L1	B	H	F	
MFR 4 B0.5 L10	4	50	10	0.50	0.80	1.95	4.0
MFR 4 B0.5 L15		50	15	0.50	0.80	1.95	4.0
MFR 4 B0.75 L10		50	10	0.75	1.20	1.95	4.0
MFR 4 B0.75 L15		50	15	0.75	1.20	1.95	4.0
MFR 4 B1.0 L10		50	10	1.00	1.50	1.95	4.0
MFR 4 B1.0 L15		50	15	1.00	1.50	1.95	4.0
MFR 4 B1.5 L10		50	10	1.50	2.50	1.95	4.0
MFR 4 B1.5 L15		50	15	1.50	2.50	1.95	4.0
MFR 5 B0.5 L10	5	50	10	0.50	0.80	2.45	5.0
MFR 5 B0.5 L15		50	15	0.50	0.80	2.45	5.0
MFR 5 B0.75 L10		50	10	0.75	1.20	2.45	5.0
MFR 5 B0.75 L15		50	15	0.75	1.20	2.45	5.0
MFR 5 B1.0 L10		50	10	1.00	1.50	2.45	5.0
MFR 5 B1.0 L15		50	15	1.00	1.50	2.45	5.0
MFR 5 B1.5 L10		50	10	1.50	2.50	2.45	5.0
MFR 5 B1.5 L15		50	15	1.50	2.50	2.45	5.0
MFR 5 B2.0 L10	5	50	10	2.00	3.50	2.45	5.0
MFR 5 B2.0 L15		50	15	2.00	3.50	2.45	5.0

MFL micro inner hole axial slotting tool



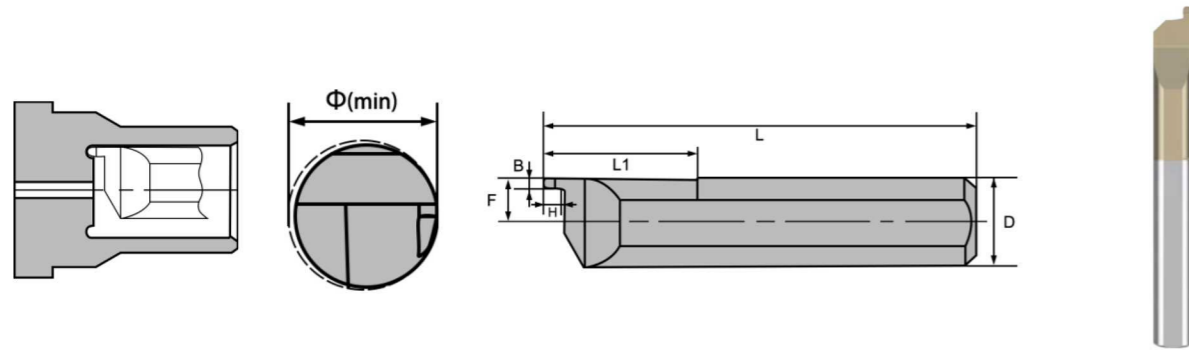
Product No	D	Size					Φ (min)
		L	L1	B	H	F	
MFL 4 B0.5 L1	4	50	10	0.50	0.80	1.95	4.0
MFL 4 B0.5 L15		50	15	0.50	0.80	1.95	4.0
MFL 4 B0.75 L10		50	10	0.75	1.20	1.95	4.0
MFL 4 B0.75 L15		50	15	0.75	1.20	1.95	4.0
MFL 4 B1.0 L10		50	10	1.00	1.50	1.95	4.0
MFL 4 B1.0 L15		50	15	1.00	1.50	1.95	4.0
MFL 4 B1.5 L10		50	10	1.50	2.50	1.95	4.0
MFL 4 B1.5 L15		50	15	1.50	2.50	1.95	4.0
MFL 5 B0.5 L10		5	50	10	0.50	0.80	2.45
MFL 5 B0.5 L15	50		15	0.50	0.80	2.45	5.0
MFL 5 B0.75 L10	50		10	0.75	1.20	2.45	5.0
MFL 5 B0.75 L15	50		15	0.75	1.20	2.45	5.0
MFL 5 B1.0 L10	50		10	1.00	1.50	2.45	5.0
MFL 5 B1.0 L15	50		15	1.00	1.50	2.45	5.0
MFL 5 B1.5 L10	50		10	1.50	2.50	2.45	5.0
MFL 5 B1.5 L15	50		15	1.50	2.50	2.45	5.0
MFL 5 B2.0 L10	50		10	2.00	3.50	2.45	5.0
MFL 5 B2.0 L15	50		15	2.00	3.50	2.45	5.0

MZR micro inner hole axial round head slotting tool



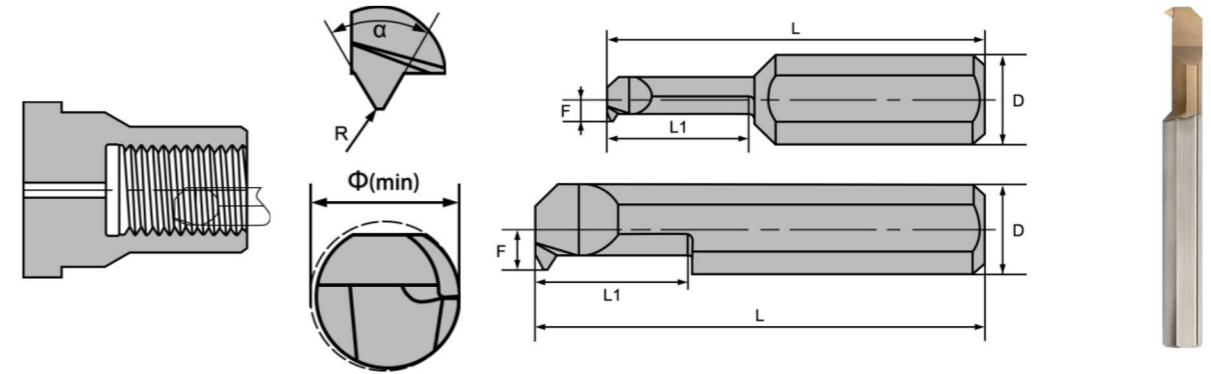
Product No	D	Size						Φ (min)
		L	L1	B	R	H	F	
MZR 4 R0.3 L15	4	50	10	0.60	0.30	0.60	1.95	4.0
MZR 4 R0.4 L15		50	15	0.80	0.40	0.80	1.95	4.0
MZR 4 R0.5 L15		50	15	1.00	0.50	1.20	1.95	4.0
MZR 4 R0.75 L15		50	15	1.50	0.75	1.50	1.95	4.0
MZR 4 R1.0 L15		50	15	2.00	1.00	2.00	1.95	4.0
MZR 5 R0.3 L22		5	50	22	0.60	0.30	0.60	2.45
MZR 5 R0.4 L22	50		22	0.80	0.40	0.80	2.45	5.0
MZR 5 R0.5 L22	50		22	1.00	0.50	1.20	2.45	5.0
MZR 5 R0.75 L22	50		22	1.50	0.75	1.50	2.45	5.0
MZR 5 R1.0 L22	50		22	2.00	1.00	2.00	2.45	5.0
MZR 5 R1.25 L22	50		22	2.50	1.25	2.50	2.45	5.0
MZR 5 R1.5 L22	50	22	3.00	1.50	3.00	2.45	5.0	
MZR 6 R0.3 L22	6	50	22	0.60	0.30	0.60	2.95	6.0
MZR 6 R0.4 L22		50	22	0.80	0.40	0.80	2.95	6.0
MZR 6 R0.5 L22		50	22	1.00	0.50	1.20	2.95	6.0
MZR 6 R0.75 L22		50	22	1.50	0.75	1.50	2.95	6.0
MZR 6 R1.0 L22		50	22	2.00	1.00	2.00	2.95	6.0
MZR 6 R1.25 L22		50	22	2.50	1.25	2.50	2.95	6.0
MZR 6 R1.5 L22	50	22	3.00	1.50	3.00	2.95	6.0	

MZL micro inner hole axial round head slotting tool



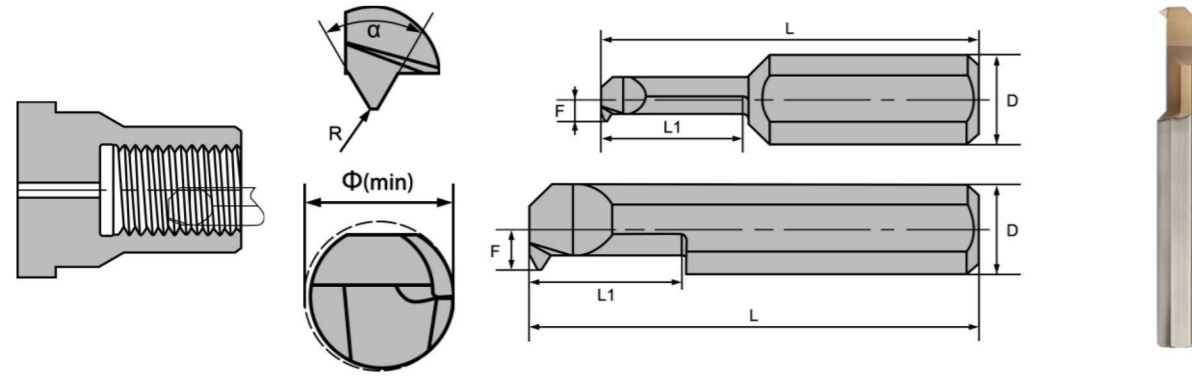
Product No	D	Size						Φ (min)
		L	L1	B	R	H	F	
MZL 4 R0.3 L15	4	50	10	0.60	0.30	0.60	1.95	4.0
MZL 4 R0.4 L15		50	15	0.80	0.40	0.80	1.95	4.0
MZL 4 R0.5 L15		50	15	1.00	0.50	1.20	1.95	4.0
MZL 4 R0.75 L15		50	15	1.50	0.75	1.50	1.95	4.0
MZL 4 R1.0 L15		50	15	2.00	1.00	2.00	1.95	4.0
MZL 5 R0.3 L22	5	50	22	0.60	0.30	0.60	2.45	5.0
MZL 5 R0.4 L22		50	22	0.80	0.40	0.80	2.45	5.0
MZL 5 R0.5 L22		50	22	1.00	0.50	1.20	2.45	5.0
MZL 5 R0.75 L22		50	22	1.50	0.75	1.50	2.45	5.0
MZL 5 R1.0 L22		50	22	2.00	1.00	2.00	2.45	5.0
MZL 5 R1.25 L22		50	22	2.50	1.25	2.50	2.45	5.0
MZL 5 R1.5 L22		50	22	3.00	1.50	3.00	2.45	5.0
MZL 6 R0.3 L22	6	50	22	0.60	0.30	0.60	2.95	6.0
MZL 6 R0.4 L22		50	22	0.80	0.40	0.80	2.95	6.0
MZL 6 R0.5 L22		50	22	1.00	0.50	1.20	2.95	6.0
MZL 6 R0.75 L22		50	22	1.50	0.75	1.50	2.95	6.0
MZL 6 R1.0 L22		50	22	2.00	1.00	2.00	2.95	6.0
MZL 6 R1.25 L22		50	22	2.50	1.25	2.50	2.95	6.0
MZL 6 R1.5 L22		50	22	3.00	1.50	3.00	2.95	6.0

MIR micro internal hole universal thread boring tool



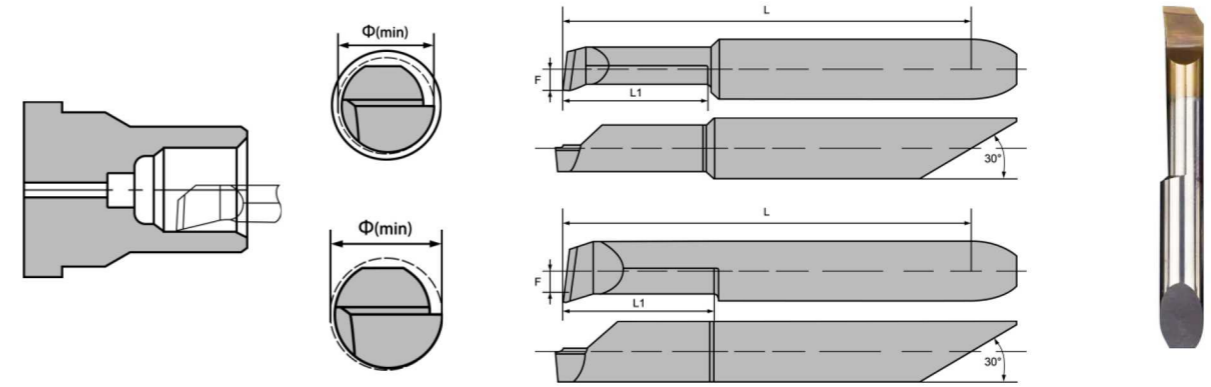
Product No	D	Size						Φ (min)
		L	L1	α	F	M		
MIR 3 L10 A55	3	40	10	55°	1.40	0.5-1.0	0.5-1.0	3.20
MIR 3 L15 A55		40	15	55°	1.40	0.5-1.0	0.5-1.0	3.20
MIR 4 L10 A55	4	50	10	55°	1.80	0.5-1.0	0.5-1.0	4.10
MIR 4 L15 A55		50	15	55°	1.80	0.5-1.0	0.5-1.0	4.10
MIR 5 L15 A55	5	50	15	55°	2.30	0.5-1.25	0.5-1.25	5.10
MIR 5 L22 A55		50	22	55°	2.30	0.5-1.25	0.5-1.25	5.10
MIR 6 L15 A55	6	50	15	55°	2.60	0.5-1.5	0.5-1.5	6.00
MIR 6 L22 A55		50	22	55°	2.60	0.5-1.5	0.5-1.5	6.00
MIR 8 L22 A55	8	60	22	55°	3.80	0.5-1.75	0.5-1.75	8.00
MIR 8 L30 A55		60	30	55°	3.80	0.5-1.75	0.5-1.75	8.00
MIR 1 L5 A60	3	40	5	60°	0.55	0.25-0.35	0.25-0.35	1.20
MIR 1.5 L6 A60		40	6	60°	0.65	0.35-0.45	0.35-0.45	1.40
MIR 2 L8 A60	4	40	8	60°	1.00	0.45-0.7	0.45-0.7	2.10
MIR 3 L10 A60	4	40	10	60°	1.30	0.7-1.0	0.7-1.0	3.20
MIR 3 L15 A60		40	15	60°	1.30	0.7-1.0	0.7-1.0	3.20
MIR 4 L10 A60	4	50	10	60°	1.80	0.8-1.0	0.8-1.0	4.10
MIR 4 L15 A60		50	15	60°	1.80	0.8-1.0	0.8-1.0	4.10
MIR 5 L15 A60	5	50	15	60°	2.30	1.0-1.25	1.0-1.25	5.10
MIR 5 L22 A60		50	22	60°	2.30	1.0-1.25	1.0-1.25	5.10

MIR thread boring tool for miniature internal hole navigational mark



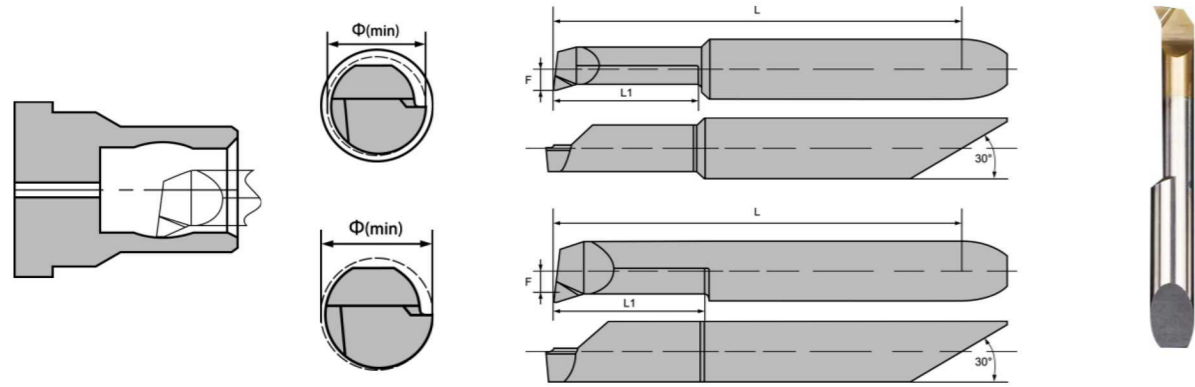
Product No	D	Size						Φ (min)
		L	L1	α	F	M		
MIR 2.0 L8 0.35 MJ	3	40	8	60°	0.95	MJ2.5*0.35	/	3.20
MIR 2.0 L8 0.45 MJ		40	8	60°	0.95	MJ2.5*0.45	/	3.20
MIR 2.5 L10 0.35 MJ	3	40	10	60°	1.15	MJ3*0.35	/	4.10
MIR 2.5 L10 0.50 MJ		40	15	60°	1.15	MJ3*0.50	/	4.10
MIR 3.0 L15 0.50 MJ	4	50	10	60°	1.45	MJ4*0.50	/	5.10
MIR 3.0 L15 0.70 MJ		50	15	60°	1.45	MJ4*0.70	/	5.10
MIR 4.0 L22 0.50 MJ	4	50	15	60°	1.95	MJ5*0.50	/	6.00
MIR 4.0 L22 0.80 MJ		50	22	60°	1.95	MJ5*0.80	/	6.00
MIR 5.0 L22 0.75 MJ	5	50	15	60°	2.45	MJ6*0.75	/	8.00
MIR 5.0 L22 1.00 MJ		50	22	60°	2.45	MJ6*1.00	/	8.00
MIR 6.0 L22 1.00 MJ	6	50	22	60°	2.95	MJ8*1.00	/	1.20
MIR 6.0 L22 1.25 MJ		50	22	60°	2.95	MJ8*1.25	/	1.40
MIR 8.0 L30 1.25 MJ	8	60	30	60°	3.95	MJ10*1.25	/	2.10
MIR 8.0 L30 1.50 MJ		60	30	60°	3.95	MJ10*1.50	/	3.20
MIR 2.6 L10 32 UNJ	3	40	10	60°	1.25	/	/	3.20
MIR 2.6 L10 40 UNJF		40	10	60°	1.25	/	/	4.10
MIR 3.0 L15 32 UNJ	3	40	15	60°	1.45	/	/	4.10
MIR 3.0 L15 36 UNJF		40	15	60°	1.45	/	/	5.10

KEC micro high precision universal turning boring tool



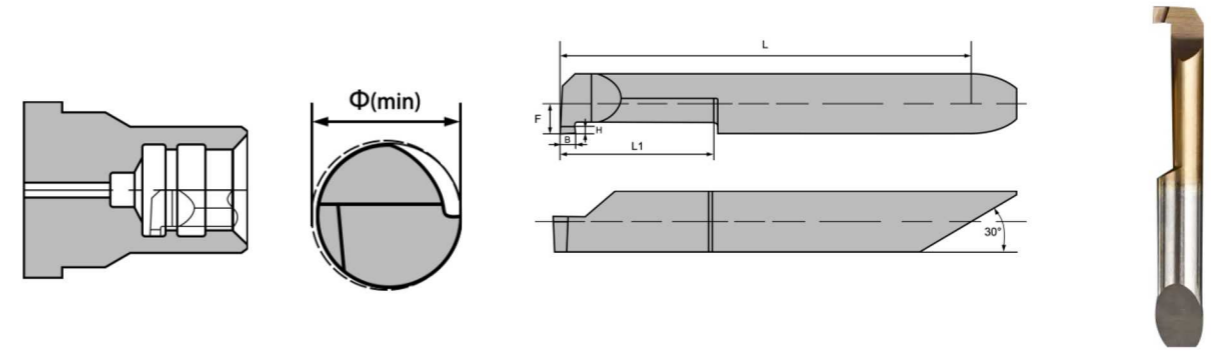
Product No	D	Size				Φ (min)
		L	L1	R	F	
KEC-04T095-05-0502 R	4	27.5	2	0.05	0.20	0.50
KEC-04T095-05-0502 L		27.5	2	0.05	0.20	0.50
KEC-04T095-05-0603 R		27.5	3	0.05	0.25	0.60
KEC-04T095-05-0603 L		27.5	3	0.05	0.25	0.60
KEC-04T095-05-0804 R		27.5	4	0.05	0.35	0.80
KEC-04T095-05-0804 L		27.5	4	0.05	0.35	0.80
KEC-04T095-05-1006 R		27.5	6	0.05	0.45	1.00
KEC-04T095-05-1006 L		27.5	6	0.05	0.45	1.00
KEC-04T095-05-1510 R		27.5	10	0.05	0.70	1.50
KEC-04T095-05-1510 L		27.5	10	0.05	0.70	1.50
KEC-04T095-10-2210 R		27.5	10	0.10	0.70	2.20
KEC-04T095-10-2210 L		27.5	10	0.10	1.00	2.20
KEC-04T095-10-2710 R		27.5	10	0.10	1.20	2.70
KEC-04T095-10-2710 L		27.5	10	0.10	1.20	2.70
KEC-04T095-10-2715 R		32.5	15	0.10	1.20	2.70
KEC-04T095-10-2715 L		32.5	15	0.10	1.20	2.70
KEC-04T095-05-3210 R		27.5	10	0.05	1.45	3.20
KEC-04T095-05-3210 L		27.5	10	0.05	1.45	3.20
KEC-04T095-05-3215 R		32.5	15	0.05	1.45	3.20

KED micro high precision copy turning boring tool



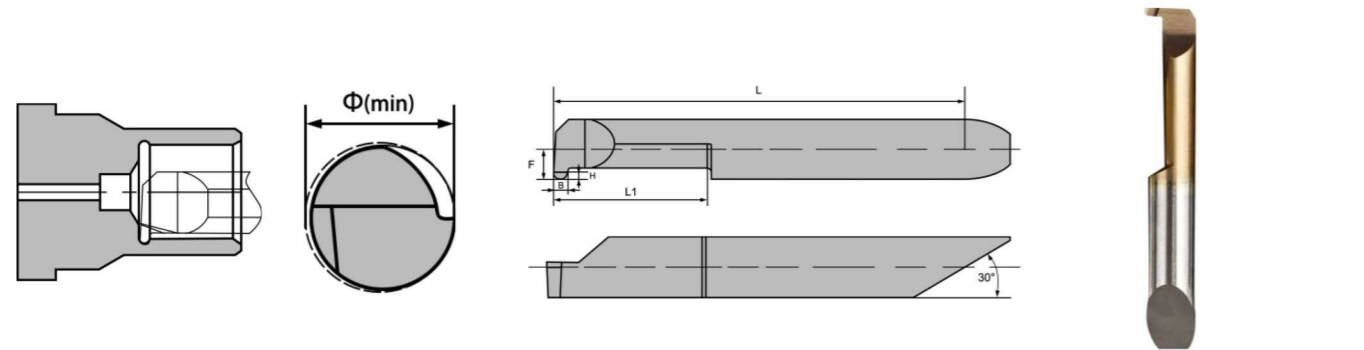
Product No	D	Size				Φ (min)
		L	L1	R	F	
KED-04T098-05-0502 R	4	27.5	2	0.05	0.20	0.50
KED-04T098-05-0502 L		27.5	2	0.05	0.20	0.50
KED-04T098-05-0603 R		27.5	3	0.05	0.25	0.60
KED-04T098-05-0603 L		27.5	3	0.05	0.25	0.60
KED-04T098-05-0804 R		27.5	4	0.05	0.35	0.80
KED-04T098-05-0804 L		50	4	0.05	0.35	0.80
KED-04T098-05-1006 R		27.5	6	0.05	0.45	1.00
KED-04T098-05-1006 L		27.5	6	0.05	0.45	1.00
KED-04T098-05-1510 R		27.5	10	0.05	0.70	1.50
KED-04T098-05-1510 L		27.5	10	0.05	0.70	1.50
KED-04T098-10-2210 R		27.5	10	0.10	1.00	2.20
KED-04T098-10-2210 L		27.5	10	0.10	1.00	2.20
KED-04T098-10-2710 R		27.5	10	0.10	1.20	2.70
KED-04T098-10-2710 L		27.5	10	0.10	1.20	2.70
KED-04T098-10-2715 R		32.5	15	0.10	1.20	2.70
KED-04T098-10-2715 L		32.5	15	0.10	1.20	2.70
KED-04T098-05-3210 R		27.5	10	0.05	1.45	3.20
KED-04T098-05-3210 L		27.5	10	0.05	1.45	3.20
KED-04T098-05-3215 R		32.5	15	0.05	1.45	3.20

KEF micro high precision internal aperture slotting tool



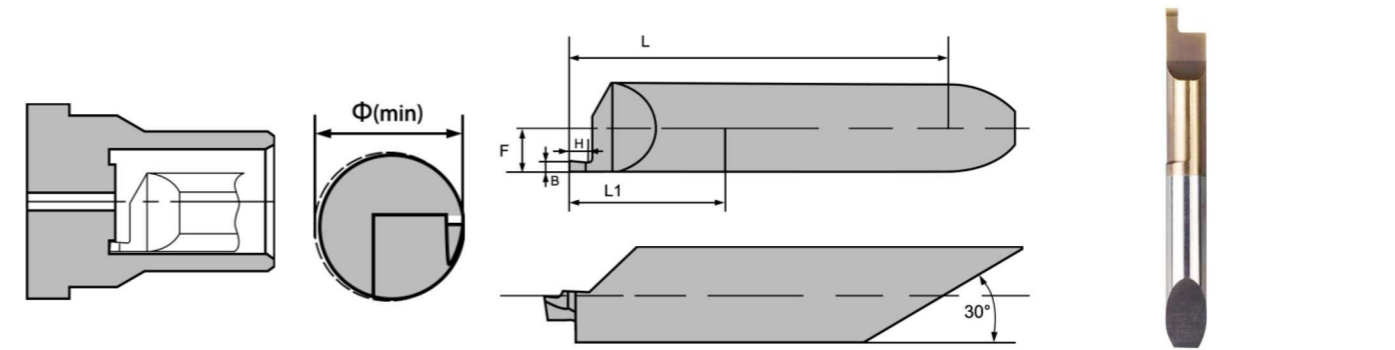
Product No	D	Size					Φ (min)	
		L	L1	B	H	F		
KEF-04G078-4210 R	4	27.5	10	0.78	0.80	1.95	4.20	
KEF-04G078-4210 L		27.5	10	0.78	0.80	1.95	4.20	
KEF-04G078-4215 R		32.5	15	0.78	0.80	1.95	4.20	
KEF-04G078-4215 L		32.5	15	0.78	0.80	1.95	4.20	
KEF-04G078-4220 R		37.5	20	0.78	0.80	1.95	4.20	
KEF-04G078-4220 L		37.5	20	0.78	0.80	1.95	4.20	
KEF-04G100-4210 R		27.5	10	1.00	1.00	1.95	4.20	
KEF-04G100-4210 L		27.5	10	1.00	1.00	1.95	4.20	
KEF-04G100-4215 R		32.5	15	1.00	1.00	1.95	4.20	
KEF-04G100-4215 L		32.5	15	1.00	1.00	1.95	4.20	
KEF-04G100-4220 R		37.5	20	1.00	1.00	1.95	4.20	
KEF-04G100-4220 L		37.5	20	1.00	1.00	1.95	4.20	
KEF-05G078-5210 R		5	32.5	10	0.78	1.00	2.45	5.20
KEF-05G078-5210 L			32.5	10	0.78	1.00	2.45	5.20
KEF-05G078-5215 R	37.5		15	0.78	1.00	2.45	5.20	
KEF-05G078-5215 L	37.5		15	0.78	1.00	2.45	5.20	
KEF-05G078-5220 R	42.5		20	0.78	1.00	2.45	5.20	
KEF-05G078-5220 L	42.5		20	0.78	1.00	2.45	5.20	
KEF-05G078-5225 R	47.5	25	0.78	1.00	2.45	5.20		

KER miniature high precision internal bore slotted cutter towards round head



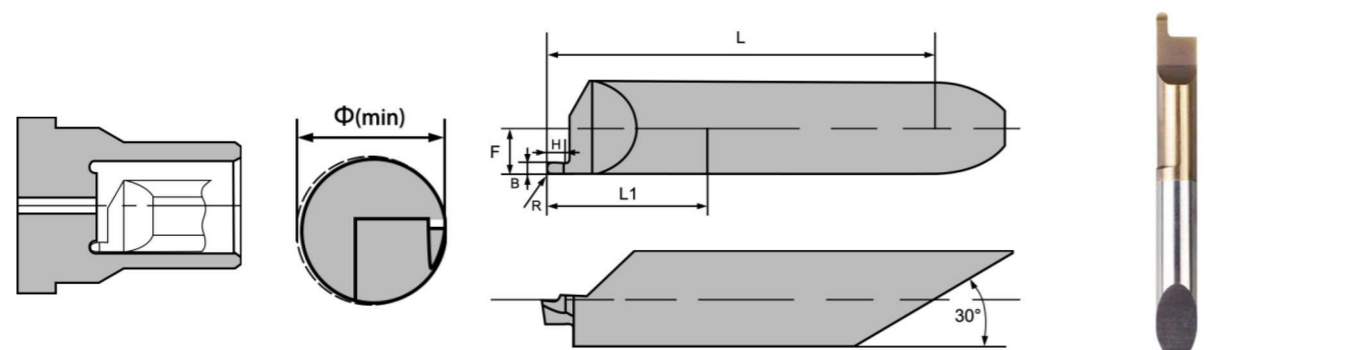
Product No	D	Size						Φ (min)
		L	L1	B	R	H	F	
KER-04R030-4210 R	4	27.5	10	0.60	0.30	0.50	1.95	4.20
KER-04R030-4210 L		27.5	10	0.60	0.30	0.50	1.95	4.20
KER-04R030-4215 R		32.5	15	0.60	0.30	0.50	1.95	4.20
KER-04R030-4215 L		32.5	15	0.60	0.30	0.50	1.95	4.20
KER-04R040-4210 R		27.5	10	0.80	0.40	0.70	1.95	4.20
KER-04R040-4210 L		27.5	10	0.80	0.40	0.70	1.95	4.20
KER-04R040-4215 R		32.5	15	0.80	0.40	0.70	1.95	4.20
KER-04R040-4215 L		32.5	15	0.80	0.40	0.70	1.95	4.20
KER-04R050-4210 R		27.5	10	1.00	0.50	0.90	1.95	4.20
KER-04R050-4210 L		27.5	10	1.00	0.50	0.90	1.95	4.20
KER-04R050-4215 R		32.5	15	1.00	0.50	0.90	1.95	4.20
KER-04R050-4215 L		32.5	15	1.00	0.50	0.90	1.95	4.20
KER-05R030-5215 R	5	37.5	15	0.60	0.30	0.50	2.45	5.20
KER-05R030-5215 L		37.5	15	0.60	0.30	0.50	2.45	5.20
KER-05R030-5220 R		42.5	20	0.60	0.30	0.50	2.45	5.20
KER-05R030-5220 L		42.5	20	0.60	0.30	0.50	2.45	5.20
KER-05R040-5215 R		37.5	15	0.80	0.40	0.70	2.45	5.20
KER-05R040-5215 L		37.5	15	0.80	0.40	0.70	2.45	5.20
KER-05R040-5220 R		42.5	20	0.80	0.40	0.70	2.45	5.20
KER-05R040-5220 L		42.5	20	0.80	0.40	0.70	2.45	5.20

KEFG micro high precision internal hole axial slotting tool



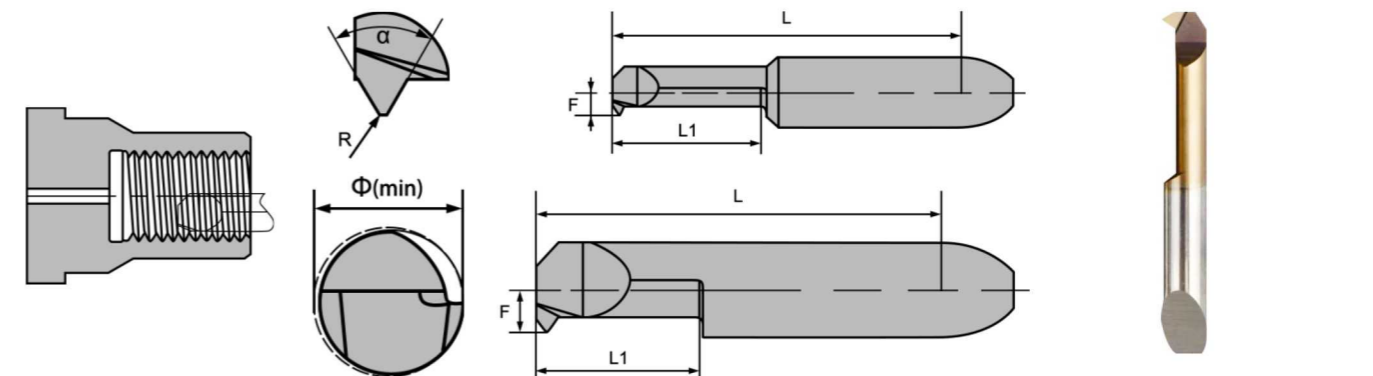
Product No	D	Size					Φ (min)
		L	L1	B	H	F	
KEFG-06F100-6210 R	6	32.5	10	1.00	1.50	2.95	6.20
KEFG-06F100-6210 L		32.5	10	1.00	1.50	2.95	4.20
KEFG-06F100-6215 R		37.5	15	1.00	1.50	2.95	6.20
KEFG-06F100-6215 L		37.5	15	1.00	1.50	2.95	6.20
KEFG-06F150-6210 R		32.5	10	1.50	2.30	2.95	6.20
KEFG-06F150-6210 L		32.5	10	1.50	2.30	2.95	6.20
KEFG-06F150-6215 R		37.5	15	1.50	2.30	2.95	6.20
KEFG-06F150-6215 L		37.5	15	1.50	2.30	2.95	6.20
KEFG-06F200-6210 R		32.5	10	2.00	3.00	2.95	6.20
KEFG-06F200-6210 L		32.5	10	2.00	3.00	2.95	6.20
KEFG-06F200-6215 R		37.5	15	2.00	3.00	2.95	6.20
KEFG-06F200-6215 L		37.5	15	2.00	3.00	2.95	6.20
KEFG-07F100-7215 R	7	37.5	15	1.00	1.50	3.45	7.20
KEFG-07F100-7215 L		37.5	15	1.00	1.50	3.45	7.20
KEFG-07F100-7220 R		42.5	20	1.00	1.50	3.45	7.20
KEFG-07F100-7220 L		42.5	20	1.00	1.50	3.45	7.20
KEFG-07F150-7215 R		37.5	15	1.50	2.30	3.45	7.20
KEFG-07F150-7215 L		37.5	15	1.50	2.30	3.45	7.20
KEFG-07F150-7220 R		42.5	20	1.50	2.30	3.45	7.20
KEFG-07F150-7220 L		42.5	20	1.50	2.30	3.45	7.20

KERG micro high precision inner hole axial round head slotting tool



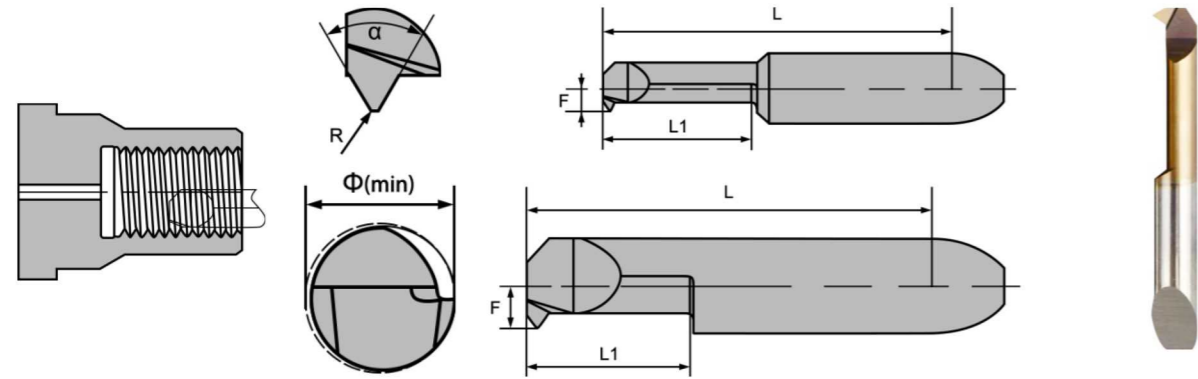
Product No	D	Size						Φ (min)	
		L	L1	B	R	H	F		
KERG-06R050-6210 R	6	32.5	10	1.00	0.50	1.00	2.95	6.20	
KERG-06R050-6210 L		32.5	10	1.00	0.50	1.00	2.95	6.20	
KERG-06R050-6215 R		37.5	15	1.00	0.50	1.00	2.95	6.20	
KERG-06R050-6215 L		37.5	15	1.00	0.50	1.00	2.95	6.20	
KERG-06R075-6210 R		32.5	10	1.50	0.75	1.50	2.95	6.20	
KERG-06R075-6210 L		32.5	10	1.50	0.75	1.50	2.95	6.20	
KERG-06R075-6215 R		37.5	15	1.50	0.75	1.50	2.95	6.20	
KERG-06R075-6215 L		37.5	15	1.50	0.75	1.50	2.95	6.20	
KERG-06R100-6210 R		32.5	10	2.00	1.00	2.00	2.95	6.20	
KERG-06R100-6210 L		32.5	10	2.00	1.00	2.00	2.95	6.20	
KERG-06R100-6215 R		37.5	15	2.00	1.00	2.00	2.95	6.20	
KERG-06R100-6215 L		37.5	15	2.00	1.00	2.00	2.95	6.20	
KERG-07R050-7215 R		7	37.5	15	1.00	0.50	1.00	3.45	7.20
KERG-07R050-7215 L			37.5	15	1.00	0.50	1.00	3.45	7.20
KERG-07R050-7220 R			42.5	20	1.00	0.50	1.00	3.45	7.20
KERG-07R050-7220 L			42.5	20	1.00	0.50	1.00	3.45	7.20
KERG-07R075-7215 R	37.5		15	1.50	0.75	1.50	3.45	7.20	
KERG-07R075-7215 L	37.5		15	1.50	0.75	1.50	3.45	7.20	
KERG-07R075-7220 R	42.5		20	1.50	0.75	1.50	3.45	7.20	
KERG-07R075-7220 L	42.5		20	1.50	0.75	1.50	3.45	7.20	

KET miniature high precision thread boring tool



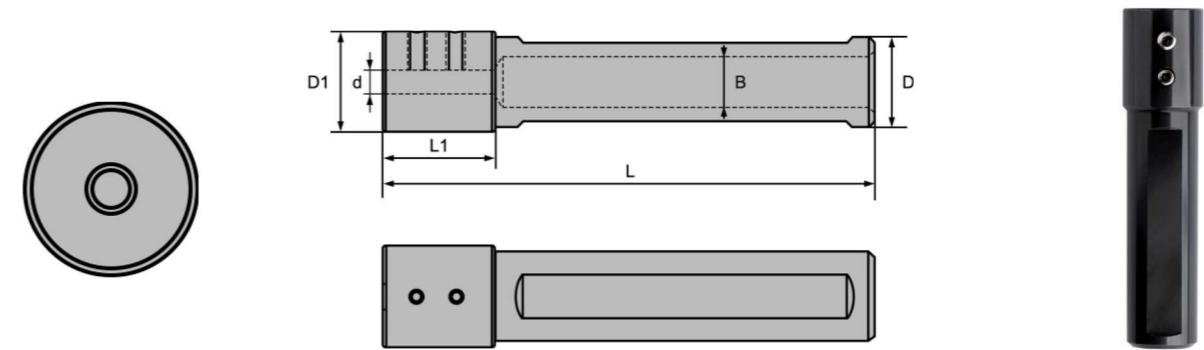
Product No	D	Size					Φ (min)	
		L	L1	α	F	M		
KET-04TH035MM-2008 R	4	27.5	8	60°	0.95	MJ2.5*0.35	2.00	
KET-04TH045MM-2008 R		27.5	8	60°	0.95	MJ2.5*0.45	2.00	
KET-04TH035MM-2310 R		27.5	10	60°	1.15	MJ3*0.35	2.30	
KET-04TH050MM-2315 R		32.5	15	60°	1.15	MJ3*0.5	2.30	
KET-04TH050MM-3210 R		27.5	10	60°	1.45	MJ4*0.5	3.20	
KET-04TH070MM-3215 R		32.5	15	60°	1.45	MJ4*0.7	3.20	
KET-04TH050MM-4015 R		32.5	15	60°	1.85	MJ5*0.5	4.00	
KET-04TH080MM-4020 R		37.5	20	60°	1.85	MJ5*0.8	4.00	
KET-05TH075MM-5020 R		5	42.5	20	60°	2.45	MJ6*0.75	5.00
KET-05TH100MM-5025 R			47.5	25	60°	2.45	MJ6*1.0	5.00
KET-06TH100MM-6225 R	6	47.5	25	60°	2.95	MJ8*1.0	6.20	
KET-06TH125MM-6230 R		52.5	30	60°	2.95	M8*1.25	6.20	
KET-08TH125MM-8230 R	8	57.5	30	60°	3.95	M10*1.25	8.20	
KET-08TH150MM-8235 R		62.5	35	60°	3.95	M10*1.50	8.20	
KET-04TH320UN-2610 R	4	27.5	10	60°	1.25	/	2.60	
KET-04TH400UN-2610 R		27.5	10	60°	1.25	/	2.60	
KET-04TH320UN-3215 R		32.5	15	60°	1.45	/	3.20	
KET-04TH360UN-3215 R		32.5	15	60°	1.45	/	3.20	
KET-04TH240UN-3515 R		32.5	15	60°	1.70	/	3.70	

KET miniature high precision thread boring tool for navigation mark



Product No	D	Size					Φ(min)
		L	L1	α	F	M	
KET-04TH035MJ-2008 R	4	27.5	8	60°	0.95	MJ2.5*0.35	2.00
KET-04TH045MJ-2008 R		27.5	8	60°	0.95	MJ2.5*0.45	2.00
KET-04TH035MJ-2310 R		27.5	10	60°	1.15	MJ3*0.35	2.30
KET-04TH050MJ-2315 R		32.5	15	60°	1.15	MJ3*0.5	2.30
KET-04TH050MJ-3210 R		27.5	10	60°	1.45	MJ4*0.5	3.20
KET-04TH070MJ-3215 R		32.5	15	60°	1.45	MJ4*0.7	3.20
KET-04TH050MJ-4015 R		32.5	15	60°	1.85	MJ5*0.5	4.00
KET-04TH080MJ-4020 R		37.5	20	60°	1.85	MJ5*0.8	4.00
KET-05TH075MJ-5020 R	5	42.5	20	60°	2.45	MJ6*0.75	5.00
KET-05TH100MJ-5025 R		47.5	25	60°	2.45	MJ6*1.0	5.00
KET-06TH100MJ-6025 R	6	47.5	25	60°	2.95	MJ8*1.0	6.00
KET-06TH125MJ-6030 R		52.5	30	60°	2.95	M8*1.25	6.00
KET-08TH125MJ-8030 R	8	57.5	30	60°	3.95	M10*1.25	8.00
KET-08TH150MJ-8035 R		62.5	35	60°	3.95	M10*1.50	8.00
KET-04TH320UNJ-2610 R	4	27.5	10	60°	1.25	/	2.60
KET-04TH400UNJ-2610 R		27.5	10	60°	1.25	/	2.60
KET-04TH320UNJ-3215 R		32.5	15	60°	1.45	/	3.20
KET-04TH360UNJ-3215 R		32.5	15	60°	1.45	/	3.20
KET-04TH240UNJ-3515 R		32.5	15	60°	1.70	/	3.70

SHB reducer sleeve



Product No	D	Size					
		L	L1	D	D1	B	d
SHB-D12-d3.0	12	75	15	12	14	10.5	3
SHB-D12-d4.0		75	15	12	14	10.5	4
SHB-D12-d5.0		75	15	12	14	10.5	5
SHB-D12-d6.0		75	15	12	14	10.5	6
SHB-D16-d3.0	16	88	20	16	18	14.0	3
SHB-D16-d4.0		88	20	16	18	14.0	4
SHB-D16-d5.0		88	20	16	18	14.0	5
SHB-D16-d6.0		88	20	16	18	14.0	6
SHB-D16-d7.0		88	20	16	18	14.0	7
SHB-D16-d8.0	20	88	20	16	18	14.0	8
SHB-D20-d3.0		88	20	20	22	18.0	3
SHB-D20-d4.0		88	20	20	22	18	4
SHB-D20-d5.0		88	20	20	22	18	5
SHB-D20-d6.0		88	20	20	22	18	6
SHB-D20-d7.0		88	20	20	22	18	7
SHB-D20-d8.0	25	88	20	20	22	18	8
SHB-D20-d10.0		88	20	20	22	18	10
SHB-D25-d5.0		100	25	25	27	23	5
SHB-D25-d6.0		100	25	25	27	23	6